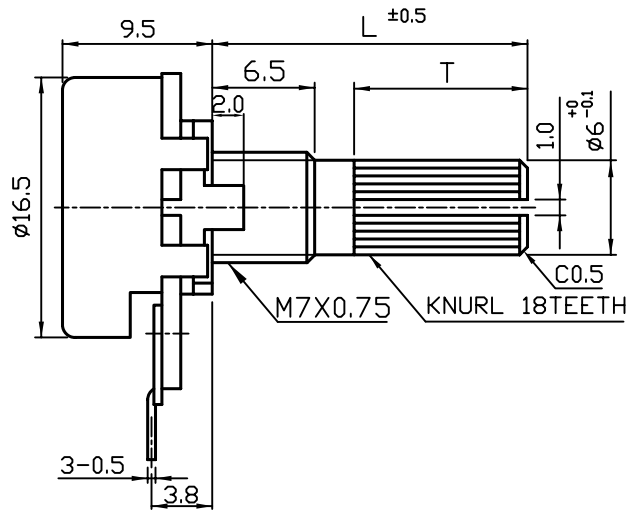
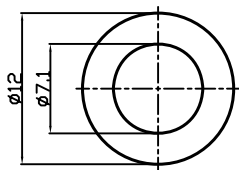
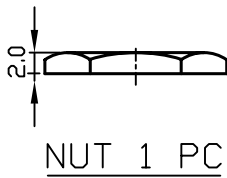
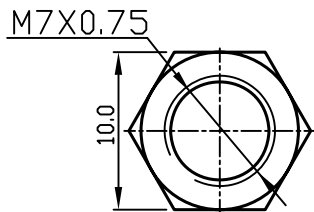
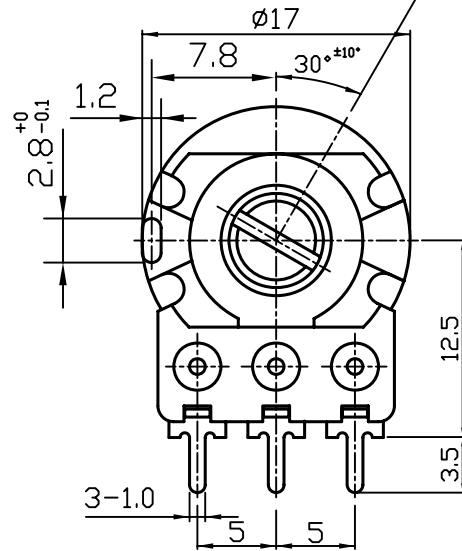


文管中心
2008.11.06
發行章

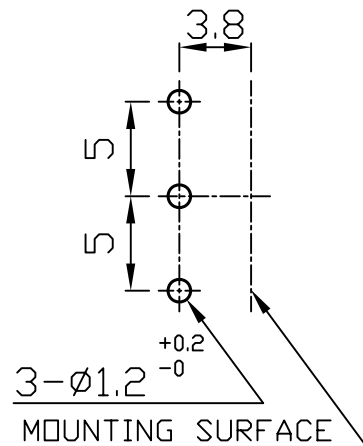


SHAFT SHAFT IN FULL C.C.W. POSITION



WASHER 1 PC t=0.6

MOUNTING HOLE DETAIL
(VIEWPOINT OF SHAFT)



	L	T
	15	6.5
	17	8.5
	20	11.5

RV16AF-20-(L)K-XXX-3(3X)(3C97A)

NO.	DATE	DESCRIPTION	MODEL NAME				
TOL. UNLESS OTHERWISE STATED		DIMENSION	SCALE	DRAWN BY	CHECKED BY	APPROVED BY	DRAWING NO.
less than 10 ±0.3		mm	2 / 1				
above 10 ~ 30 ±0.5							
above 30 ~ 100 ±1.0							
above ±5°							