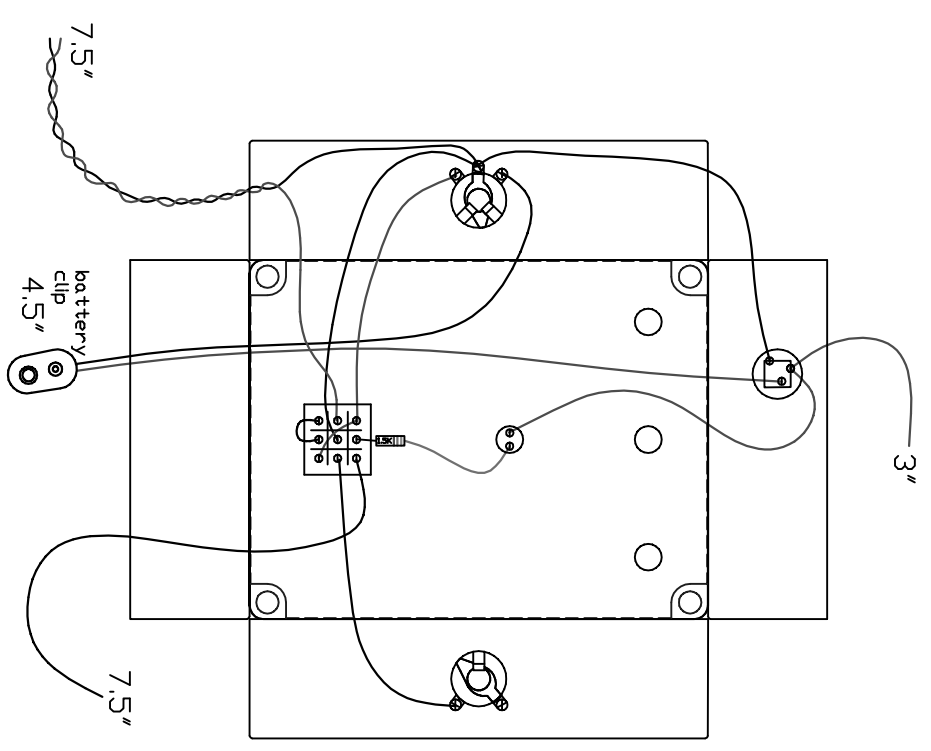
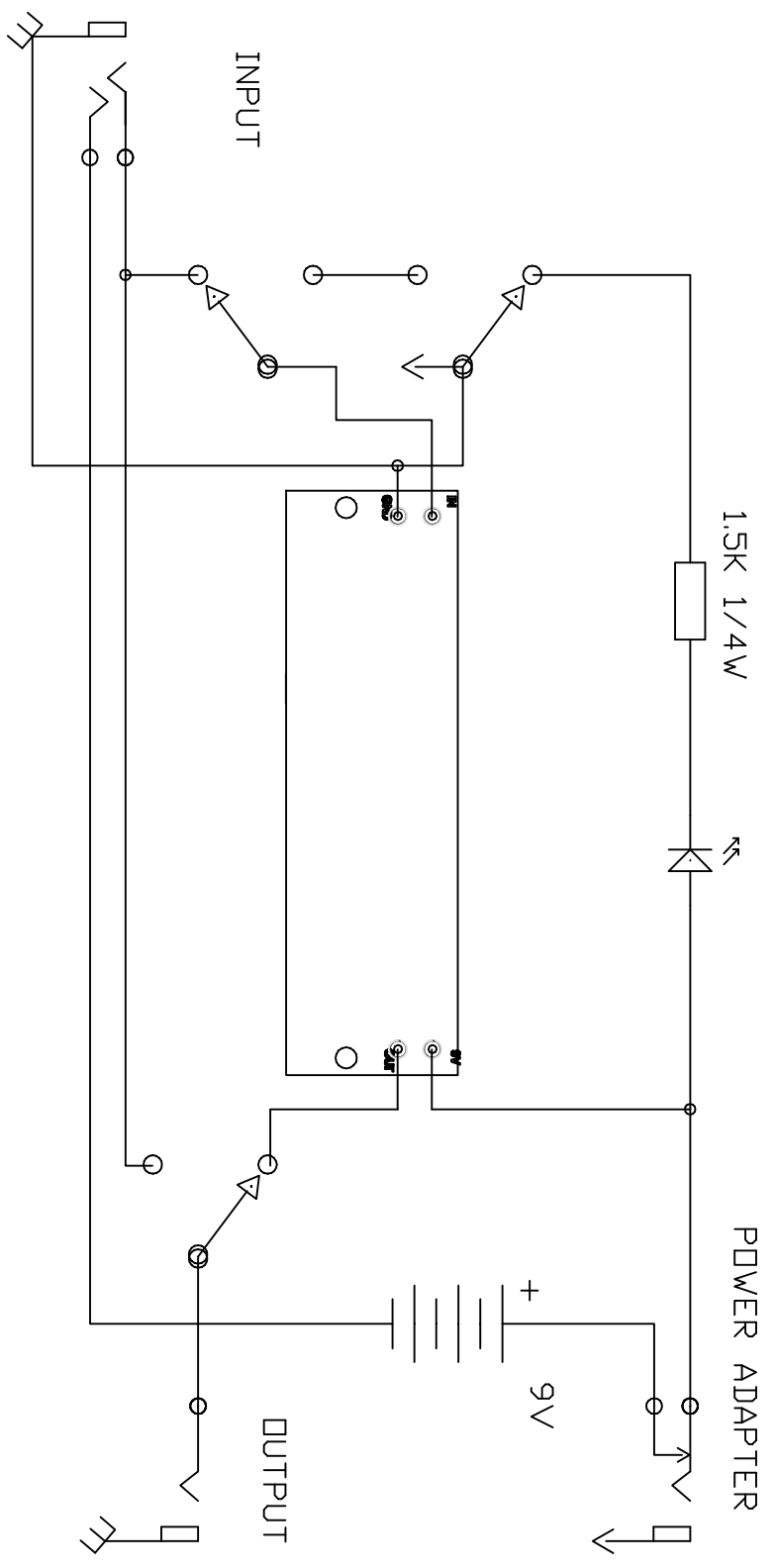
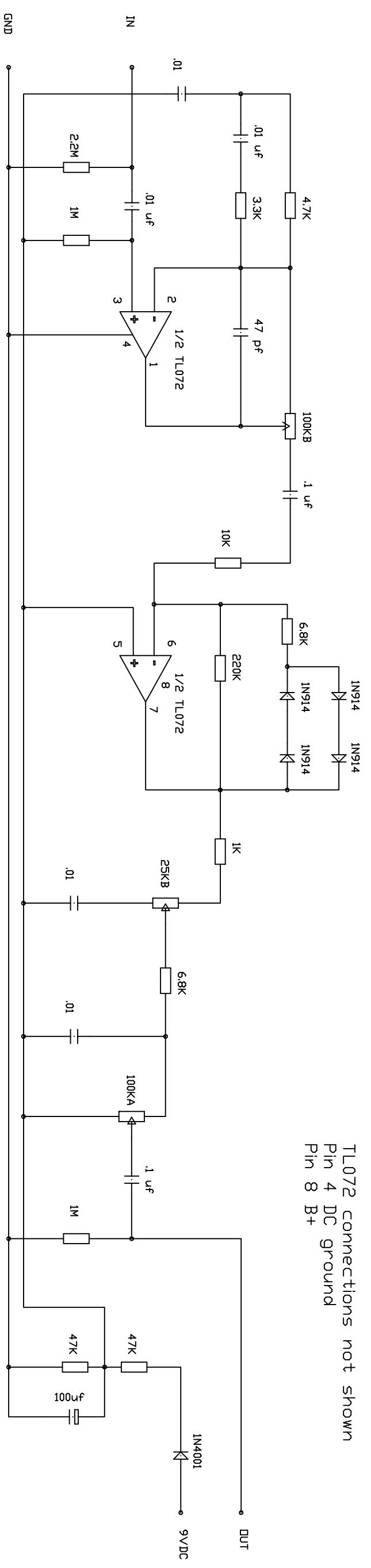


REV	BY	DATE	NOTE

REV CHANGE

TL072 connections not shown
 Pin 4 DC ground
 Pin 8 B+



TOLERANCE: N/A	UNITS: N/A	PART NAME: MK-BB-1	FILE: D-MK-BB-1	DATE: 11-18-08
MATERIAL: N/A		PART DESC: Schematic for Mojo BB-1	DRAWN BY: Andy Turner	PRINT SCALE: N/A
FINISH: N/A		MOJO PN: D-MK-BB-1-SCH		DRAWN SCALE: N/A

Mojo Musical Supply
 Tel (910)259-7291 Fax (910)259-7292