



TAD – EL34B-STR High Performance Audio Beam Power Pentode

The TAD EL34B-STR is a close remake of the British Mullard EL 34 and one of the most popular TAD Tubes. The clear and harmonic top end allows great clean tone and at same time the TAD EL34B-STR offers a mind blowing powerful mid and bottom end. It offers the highest TC (Gm) ratings of all EL34 options resulting in a very dynamic tone. Pushed to overdrive this turns into the perfect lead sound with lots of sustain and crisp attack. This sonical masterstroke is the trademark of the TAD EL34B-STR tube qualifying it to be the best choice to achieve that big tone of the legendary British guitar amps but also is first choice for high-end hi-fi audio amps.

The TAD EL34B-STR can replace any 6CA7 or KT77.

Characteristics

Electrical

Heater:	Min.	Nom.	Max.	
Voltage (AC or DC)	5.8	6.3	6.8	V
Current	ca.1.5			A
Cathode:	Oxide-coated, unipotential			
Cathode-to-heater potential, max.				+100 V
Direct interelectrode capacitances, max.***				
Grid no.1 to cathode and grid no.3, grid no.2, base sleeve and heater				<15.2 pF
Plate to cathode and grid no.3, grid no.2, base sleeve and heater				<8.5 pF
Grid no.1 to plate				<1.10 pF

Mechanical

Operating Position	Vertical, not horizontal
Base	JEDEC #8ET, octal, 8-pin
Dimensions:	
Height	114 mm (4.488")
Seated height	101 mm (3.976")
Diameter	36 mm (1.417")
Cooling	Convection
Approximate net weight	50 g (1.76 oz.)

***Without external shielding, nominal values

AF Power Amplifier

Maximum ratings

DC plate voltage	800 V
Grid no.2 DC (screen) voltage	500 V
Grid no.1 (control) voltage	-300 V
DC cathode current	150 mA
Plate dissipation	25 W
Grid no.2 DC (screen) dissipation	8 W

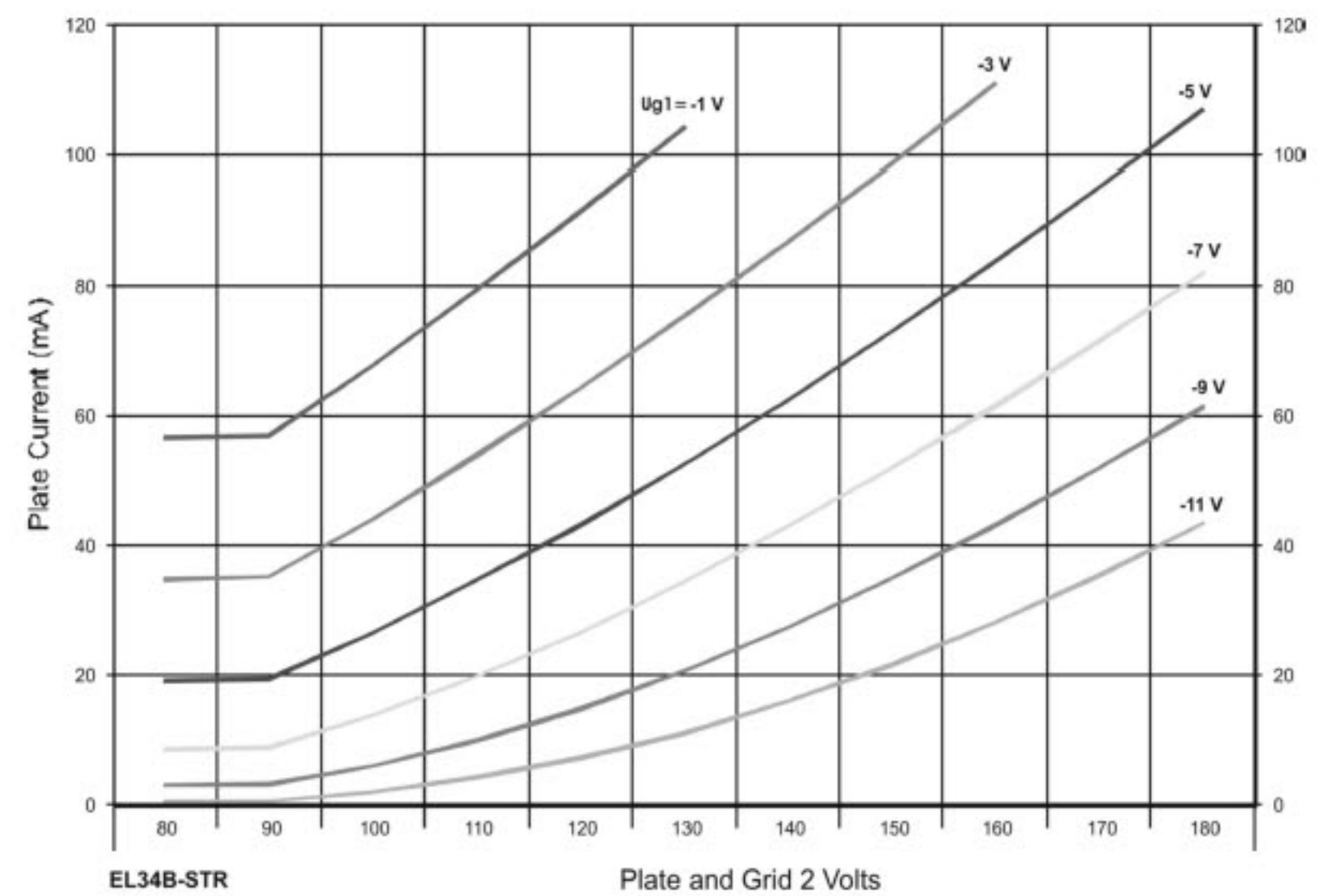
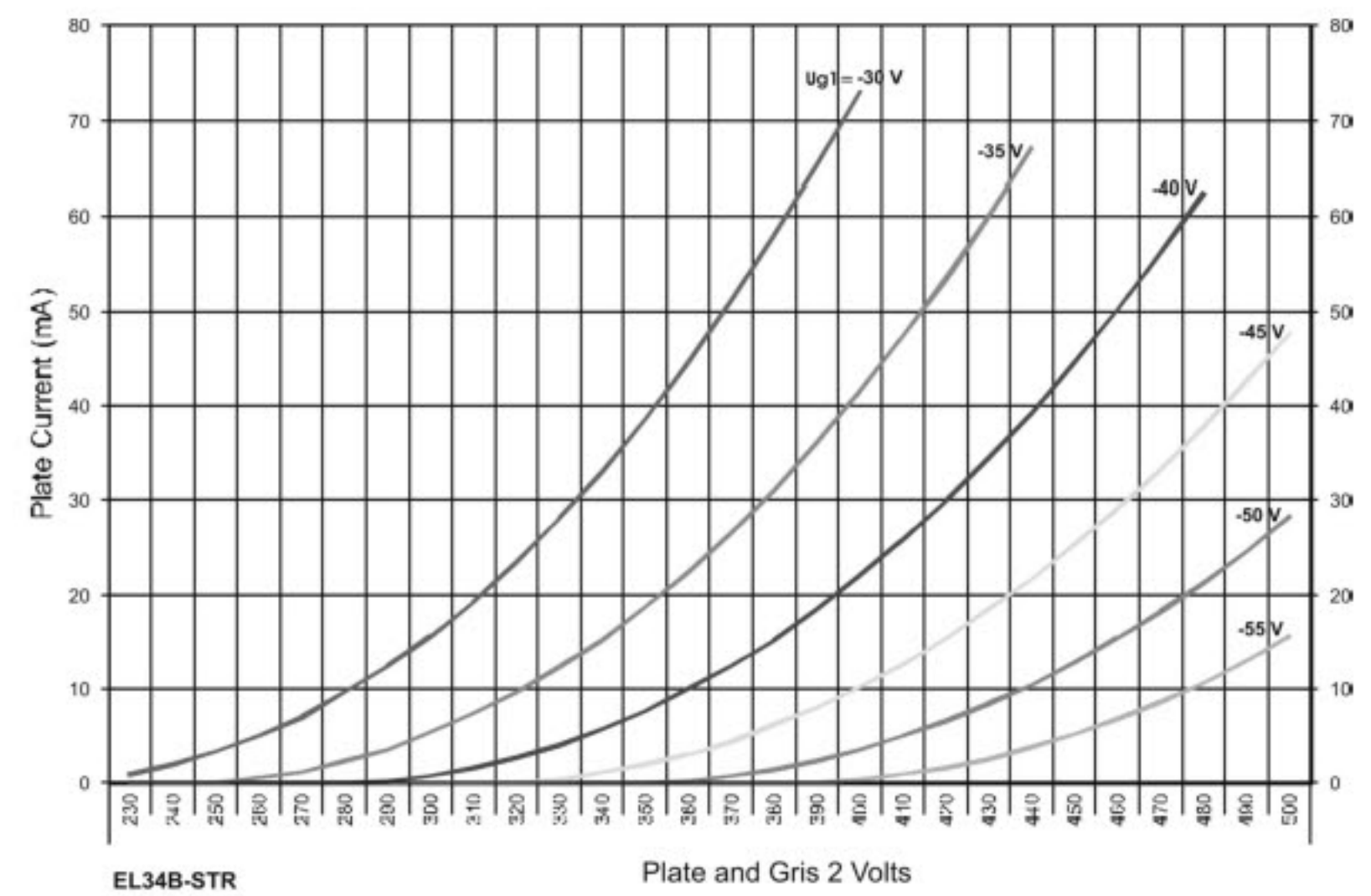
Typical Operation

AF Power Amplifier, Class A1 (single tube)

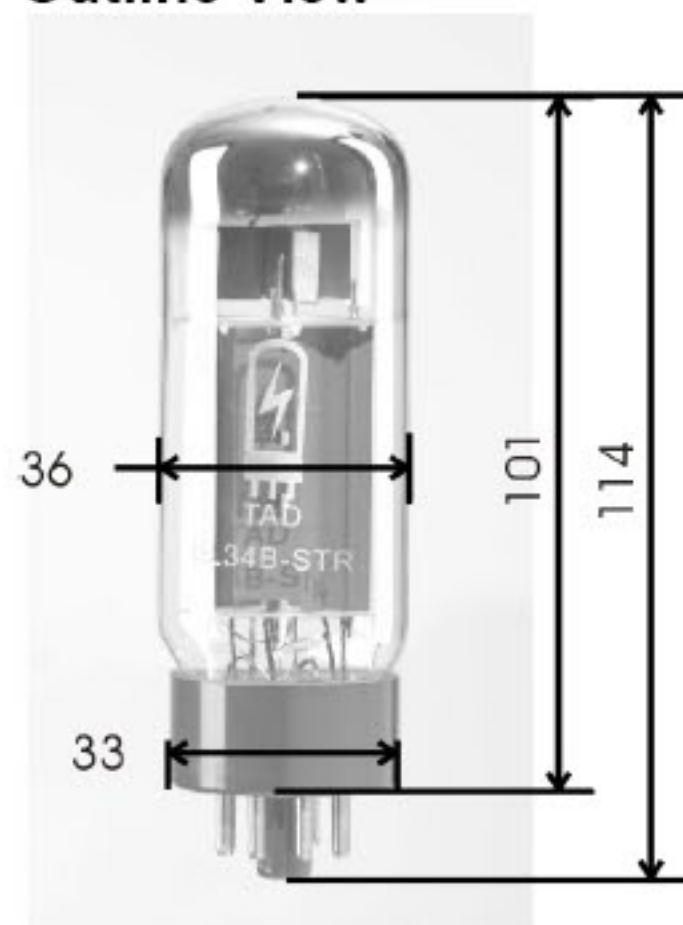
Plate Voltage	264 V
Grid 2 Screen Voltage	250 V
Grid 1 Control Voltage*	-13.5 V
Peak AF Grid 1 Control Voltage	8.7 V
Zero Signal Plate Current	70 mA
Maximum Signal Plate Current	100 mA
Zero Signal Grid 2 Screen Current (avg)	14.9 mA
Transconductance (nominal)	11,500 mS
Load Resistance	2000 Ohms
Output Power at 13% distortion	11 W

* Approximate Value (set to zero signal plate current)

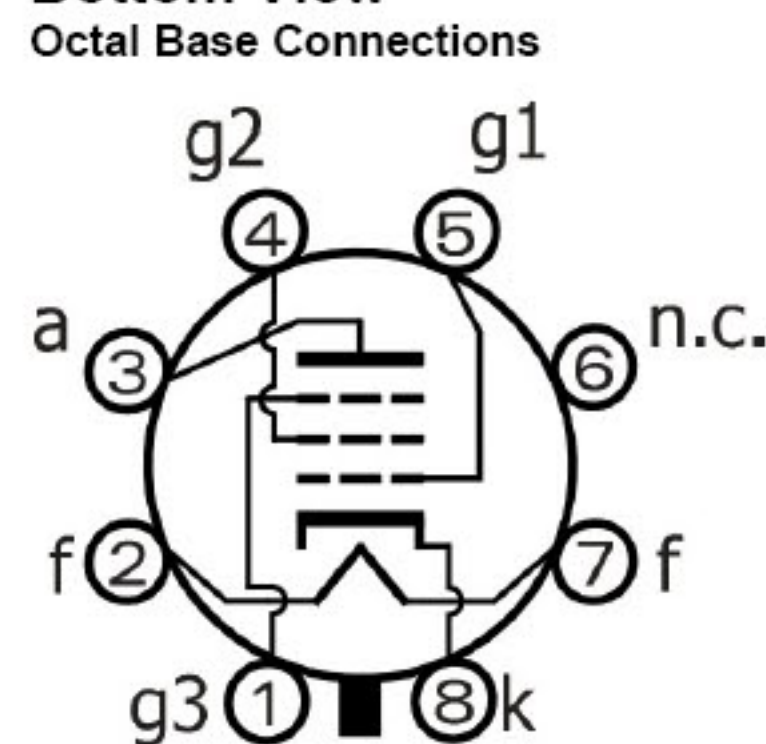
Typical Performance EL34B Curve



Outline View



Bottom View



free pins not to be connected externally

